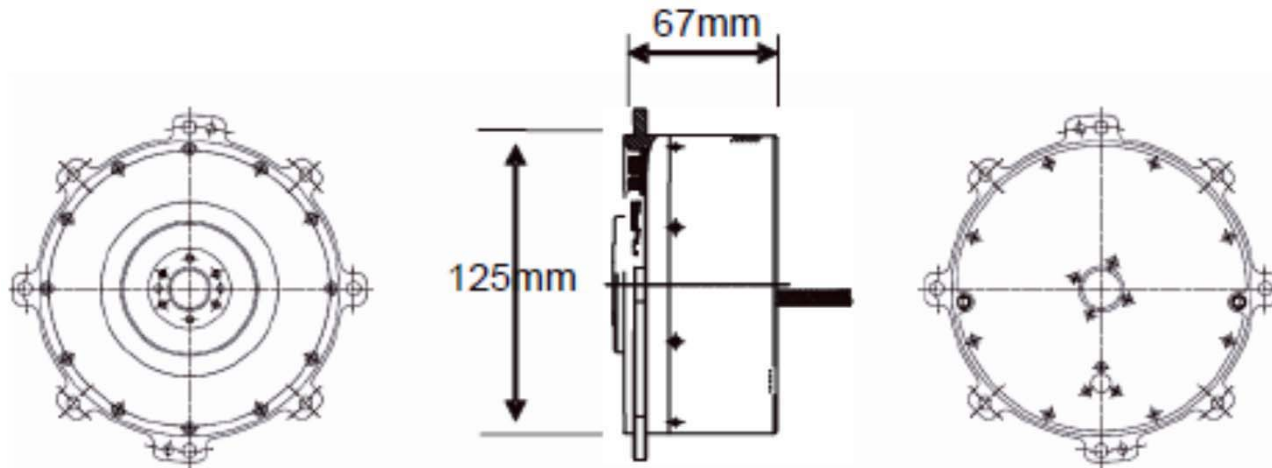


## Attachment 1 View diagram



(Note) The above figure of 125 mm corresponds to the outer diameter of the case not including the attachment flange. The actual attachment flange will be coordinated case by case.